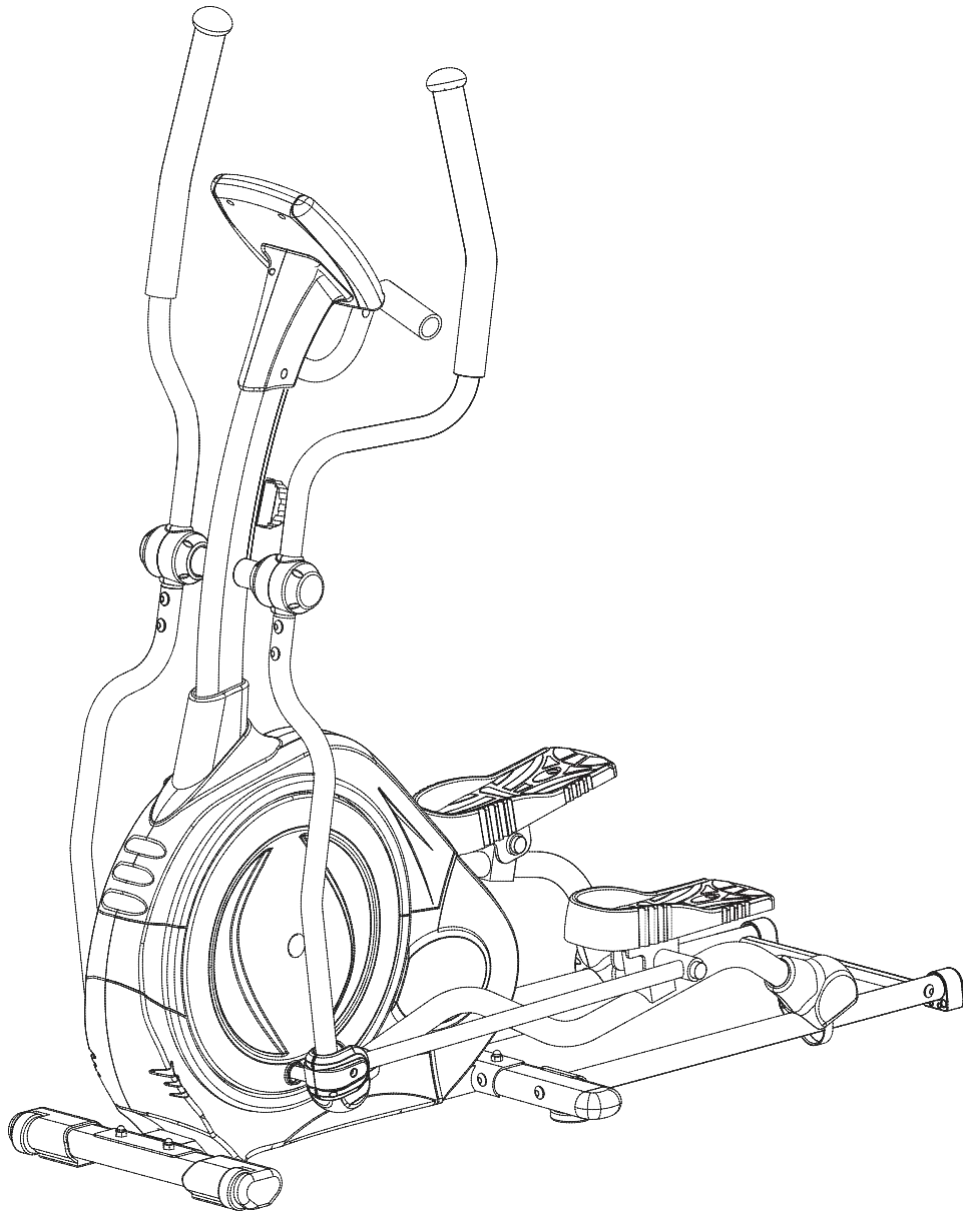
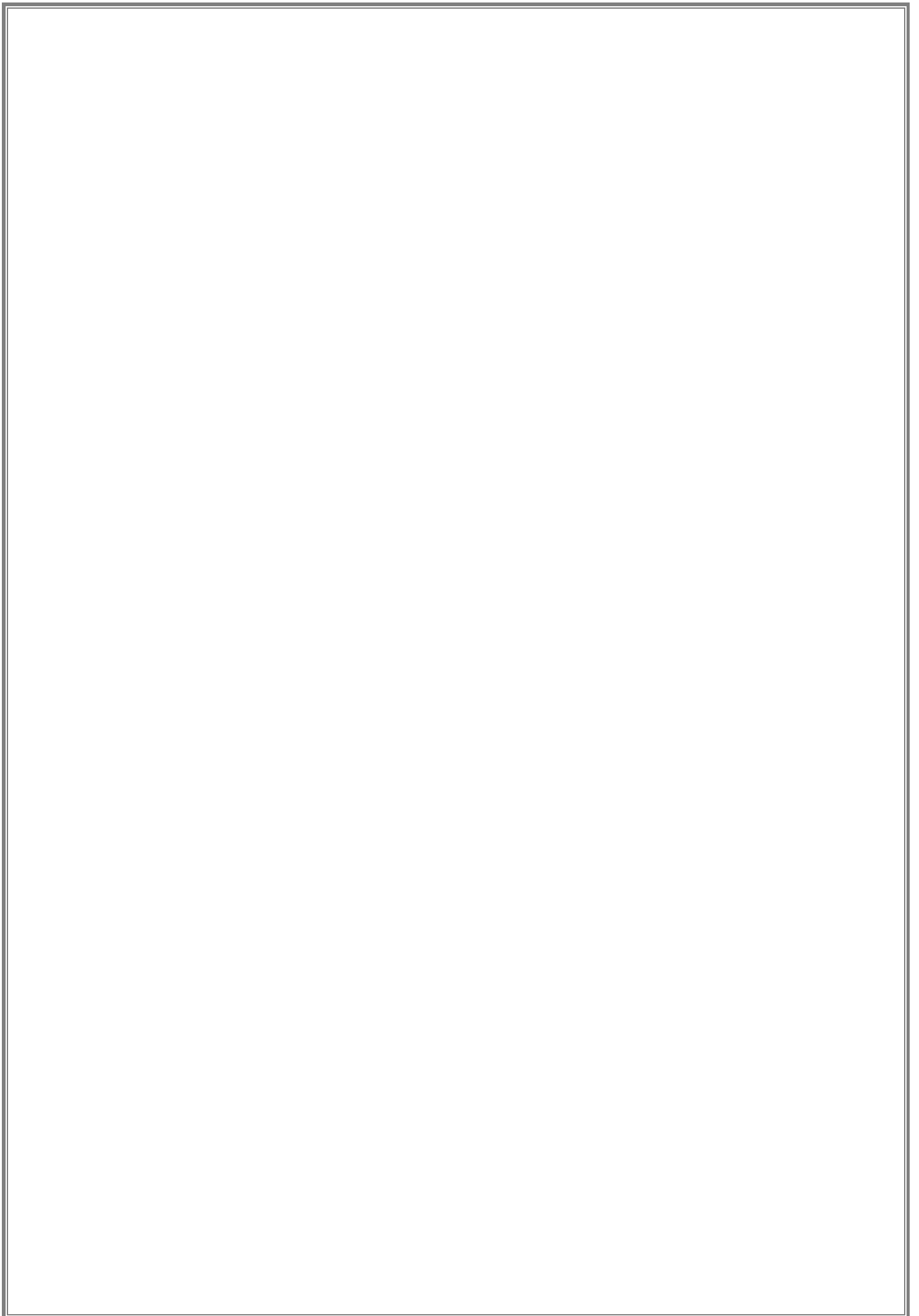


# Elliptical **XFIT** CLOUD

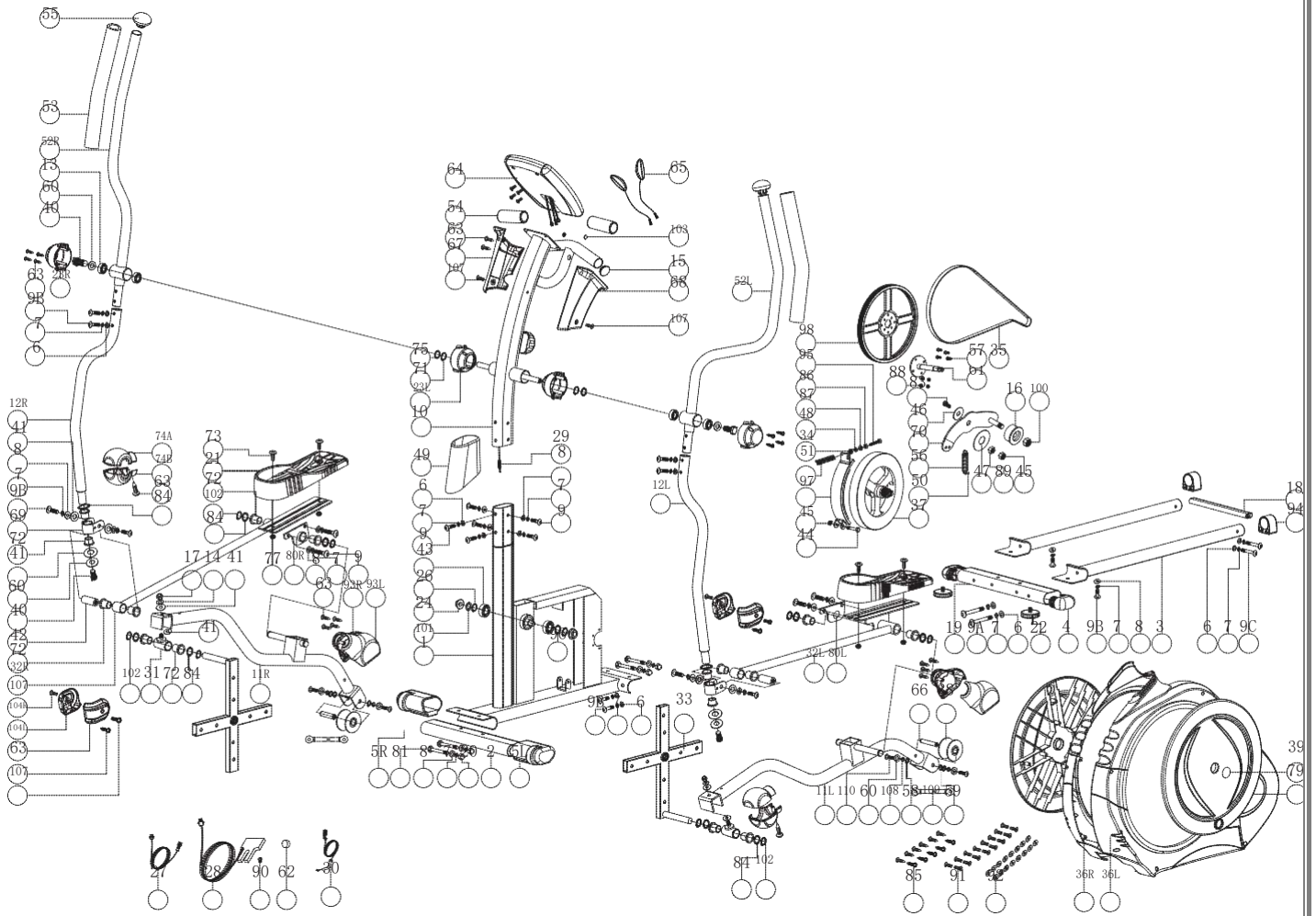
## User's Manual



\* Product specifications may differ from the photo and are subject to change without notice.



# EXPLOSIVE DRAWING




## PART LIST

NO.	DESCRIPTION	Q'TY	NO.	DESCRIPTION	Q'TY
1	Main frame	1	20	Cup nut(M8x1.25x15L,8.8grade)	4
2	Front Stabilizer Welding Set (silver)	1	21	Foot pedal 350*140*60	2
3	Slide Rail Welding Set (chrome)	2	22	Adjustable round wheel (D59*M10*40L)	2
4	Tube Cap (elliptical,40*80*33)	2	23R	Up foot lid (80*50*87,right,black)	2
5L	Roll foot cap (Left)	1	23L	Up foot lid (80*50*87,left,black)	2
5R	Roll foot cap (Right)	1	24	Anti-slide nut(M10*1.25*7T)	2
6	Curved washer(chrome,D22xD8.5x1.5T)	12	25	/	
7	Spring washer (D15.4xD8.2x2T)	30	26	C-shape ring(D22.5*D18.5*1.2T)	2
8	Flat washer	18	27	Upper computer cable (800L)	1
9	Allen bolt (chrome,M8x1.25x15L,8.8grade)	10	28	Lower computer cable (600L)	1
9A	Allen bolt (chrome,M8x1.25x95L,8.8grade)	2	29	Upper tension cable	1
9B	Allen bolt (chrome,M8x1.25x20L,8.8grade)	12	30	Lower tension cable	1
9C	Allen bolt (chrome,M8x1.25x55L,8.8grade)	2	31	Circumvolve axle welding set	2
10	Handlebar post welding set (silver)	1	32R	Left pedal frame welding set(silver)	1
11L	Left pedal bottom tube welding set(silver)	1	32L	Right pedal frame welding set(silver)	1
11R	Right pedal bottom tube welding set(silver)	1	33	Crank welding set	2
12L	Left sway support tube welding set(silver)	1	34	/	/
12R	Right sway support tube welding set(silver)	1	35	Multi-groove belt(1321 PJ6)	1
13	Bearing(#99502ZZ)	4	36L	Left chain cover (829.4*671.4)	1
14	Flat washer (D20*D11*2T)	2	36R	Right chain cover (829.4*671.4)	1
15	Tube cap (black,mushroom)	2	37	Flywheel set	1
16	Idle wheel(D23.8xD38x24, with 6000ZZ bearing)	1	38	Roll wheel(D70*43)	2
17	Anti-loosen nut (M10*1.5*10T)	2	39	Side cover(D36*14)	2
18	Slide rail link tube welding set(silver)	1	40	Hex. bolt(M8x1.25x20)	4
19	Rear stabilizer welding set	1	41	Plastic flat washer (D10*D24*0.4T)	10

NO.	DESCRIPTION	Q'TY	NO.	DESCRIPTION	Q'TY
42	Short axle(Zn,D19*44L)	2	68	Computer bracket (left,black,218.2*124.7*64)	1
43	Bearing(#6004ZZ)	2	69	Pedal tube welding set(silver)	2
44	Belt wheel (multi-groove,D310x19)	1	70	Idle wheel fixation set (Zn)	1
45	Anti-loosen nut(Zn,M8*1.25*8T)	1	71	C-shape ring(S-16)	2
46	Flat washer(Zn,D25*D8.5*2.0T)	1	72	Bushing(black)	18
47	Plastic flat washer (black,D50*D10*1.0T)	1	73	Bolt(M6*1*15L)	4
48	/	/	74A	Front pedal axle cover(upper,black 105*78*48.5)	2
49	Upper protective cover(170*66)	1	74B	Front pedal axle cover(lower,black 105*78*48.5)	2
50	Plastic bushing (D3*30L)	1	75	Curved washer(D21xD16x0.3T)	2
51	Spring(D3*30L)	1	76	/	/
52L	Left handlebar welding set(silver)	1	77	Nut (M6*1.0*5T)	4
52R	Right handlebar welding set(silver)	1	78	/	/
53	High-density foam(black,HDR,D30x3Tx500L)	2	79	Round Chain Cover (D454*3.25T)	2
54	High-density foam(black,D30x4Tx125L)	2	80L	Left pedal reinforced piece welding set	1
55	Tube cap (mushroom,black,D1 1/4"*45L)	2	80R	Left pedal reinforced piece welding set	1
56	Spring(Zn,D3.5xD18x52L)	1	81	Square bolt (M8x1.25x60L, 8.8grade)	4
57	Hex. bolt (M6x1.0x15L, 8.8grade)	4	83	Hex.nut (M8*1.25*25L 8.8grade)	1
58	C-shape ring(S-15)	4	84	Curved washer(D26*D19.5*0.3T)	10
59	Curved washer(D21xD16.2x0.3T)	2	85	Bolt(ST4.2x1.4x20L)	11
60	Flat washer(D25xD8.5x2.0T)	8	86	Six angle nut(M6*1*6T)	2
61	Crank axle welding set	1	87	Nylon washer(D6*D19*1.5T)	1
62	Round magnet(M51)	1	88	Anti-loosen nut(M6x1.0x6T)	4
63	Screw(ST4*1.41*15L)	22	89	Hex.nut(M8*1.25*6T)	1
64	Computer (TZ2186)	1	90	Bolt(M5*0.8*10L)	1
65	Hand pulse (PE18)	2	91	Screw(Zn,ST4*1.41*15L)	16
	Hand pulse cable	2	92	Flat washer(D12*D4.3*1T)	16
66	Roll Axle (D15*49)	2	93R	Rear axle cover(right,black 126.9*131.5*50.9)	2
67	Computer bracket (right,black,218.2*124.7*60)	1	93L	Rear axle cover(left,black 126.9*131.5*48)	2

NO.	DESCRIPTION	Q'TY	NO.	DESCRIPTION	Q'TY
94	Foot cap(black,56*51*38)	2	103	Cable cap(D4*D12*13)	2
95	Hex. bolt (Zn,M6*65L,8.8grade)	1	104L	Axle cover(left,black,91.5*37*72)	2
96	Curved washer(D27*D21*0.3T)	1	104R	Axle cover(right,black,91.5*40*72)	2
97	Magnet fixation bracket welding set(Zn)	1	105	/	/
98	Bolt(ST4.2x1.4x15L)	4	106	/	/
99	/	/	107	Bolt(M5*0.8*15L)	8
100	Hex. bolt(Zn,M6*1*6T)	1	108	Spacer(D11.5*D8*3.5T)	4
101	Flat washer(D26*D21*1.5T)	1	109	Roll wheel stop piece(86*59*3T)	2
102	C-shape ring(D21.5xD17.5x1.2T)	8	110	Allen bolt(M8*1.25*20L)	4

<b>Technical Features</b>	
<b>Disc weight:</b>	8 Kg
<b>Resistance system:</b>	Magnetic
<b>Maximum user weight:</b>	160 kg
<b>Stride Length:</b>	45 cm
<b>Bearings:</b>	
<b>Heart Rate Measurement:</b>	On Handles
<b>Dimensions:</b>	L: 158 x W: 72 x H: 169 cm
<b>Machine Weight:</b>	65 kg
<b>Display functions:</b>	LCD display. Indications: Time, Speed, Distance, Calories, Heart Rate and Resistance.
<b>Certification:</b>	CE-ROHS-EN957

**THE WARRANTY IS NOT VALID IF:**

The machine is placed outdoors or exposed to sun and dust.

**CAUTION!** The company does not have no responsibility for causing damage due to misuse of the product and non-compliance with the instructions for use.

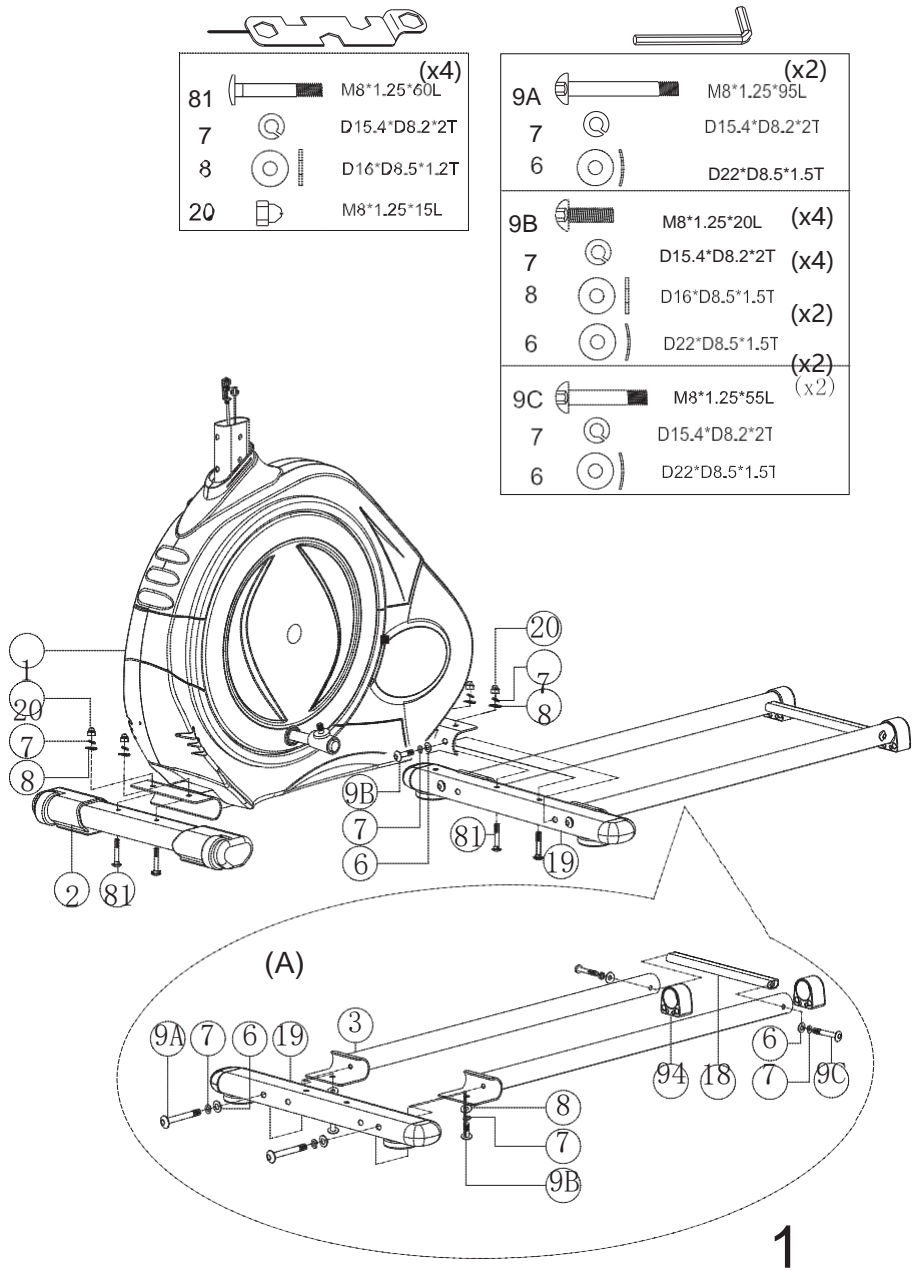
**CAUTION!** The heart rate sensor and calorie counter are not medical devices. Several factors can affect the accuracy of the indications. The heart rate sensor is only intended as an aid during exercise to monitor your heart rate in general.

**Check and tighten the screws at regular intervals, as they may loosen due to vibrations. Damage that may be caused by a lack of maintenance is not covered by the warranty.**

**CAUTION!** During exercise, heavy sweating can cause mechanical and electrical damage to the machine. Like any other liquid substance, sweat is capable of causing damage mainly to the electrical parts of the machine (dial, cables, etc.). The best solution is to use a towel during exercise, and wipe the machine after each use to avoid any unwanted damage.

# Assembly step 1

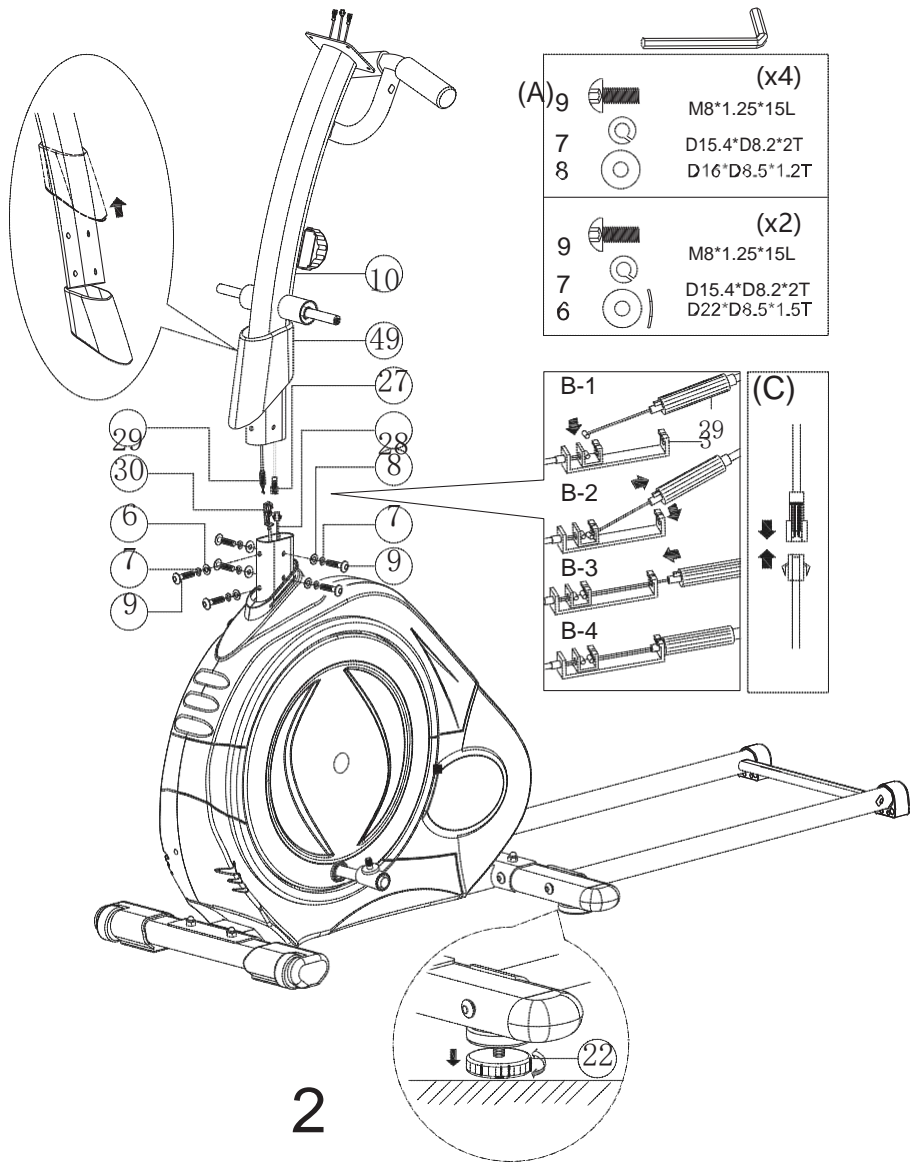
**Note: Assembly requires 2 people.**



Assemble the front stabilizer welding set (2) to the main frame (1) using the cup nut (20), spring washer (7), flat washer (8), and square bolt (81). Assemble the rear stabilizer welding set (19) to the main frame (1) using the cup nut (20), spring washer (7), flat washer (8), inner six angle bolt (9B), curved washer (6), and square bolt (81).

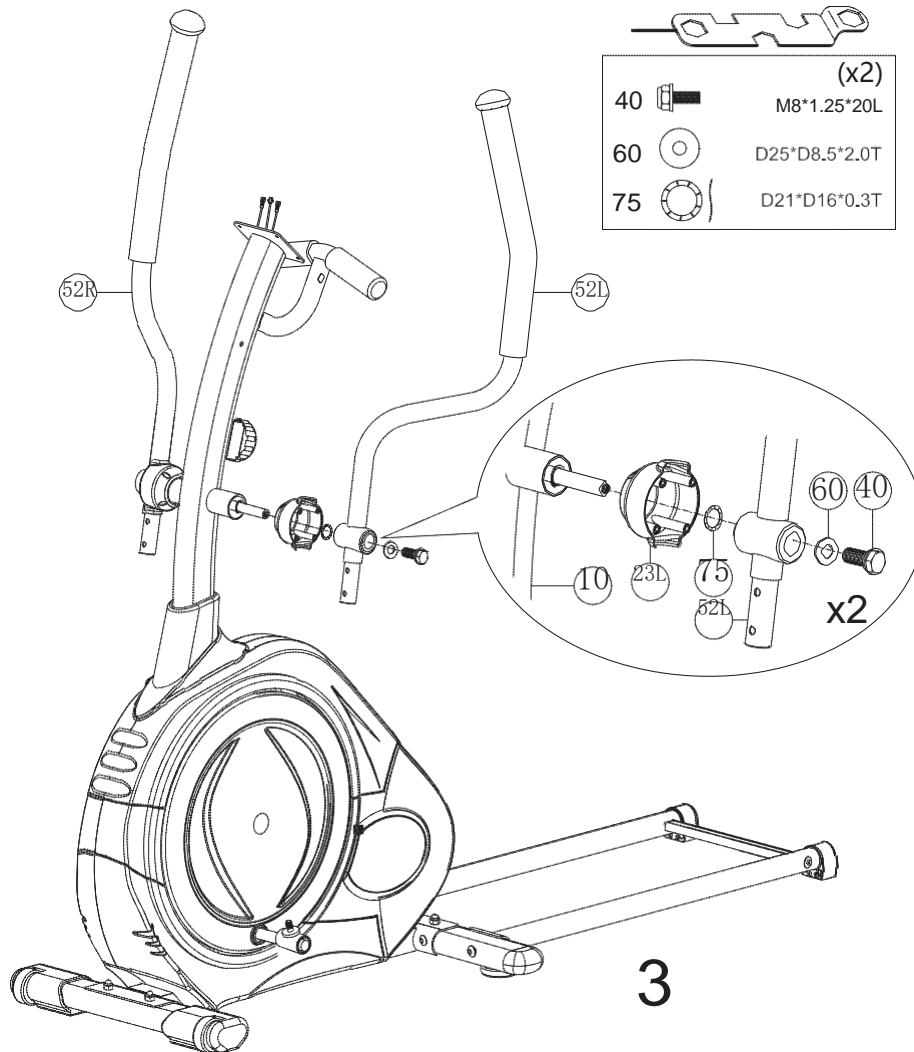


# Assembly step 2



Assemble the (10) to the main frame (1) using the upper protective cover (49), flat washer (8), spring washer (7), inner six angle bolt (9), upper tension cable (27), lower tension cable (28), upper computer cable (29), lower computer (30), curved washer (6).

## Assembly step 3

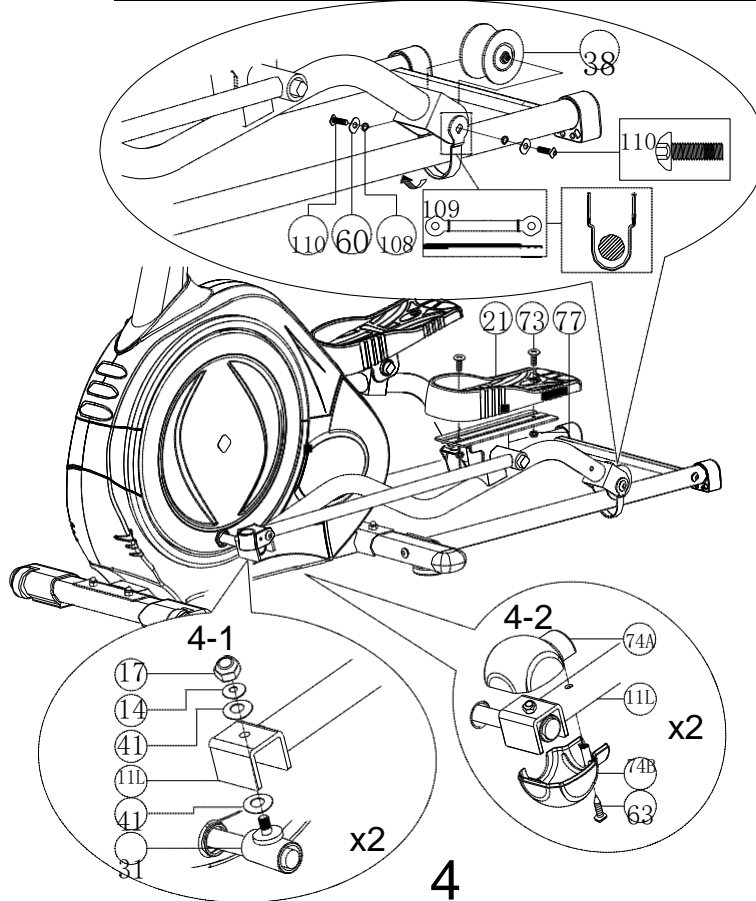


Assemble the left handlebar welding set (52L) & right handlebar welding set (52R) to the main frame (1) using the handlebar post welding set (10), up foot lid (23L), curved washer (75), flat washer (60), angle bolt (40).

# Assembly step 4



17	M10*1.5*10T (x2)	63	ST4*15L (x2)	110	M8*1.25*20L (x4)
14	D20*D11*2T	73	M6*1*15L (x4)	60	D25*D8.5*2.0T
41	D24*D10*0.4T	77	M6*1.0*5T (x4)	108	D11.5*D8*3.5T
41	D24*D10*0.4T				

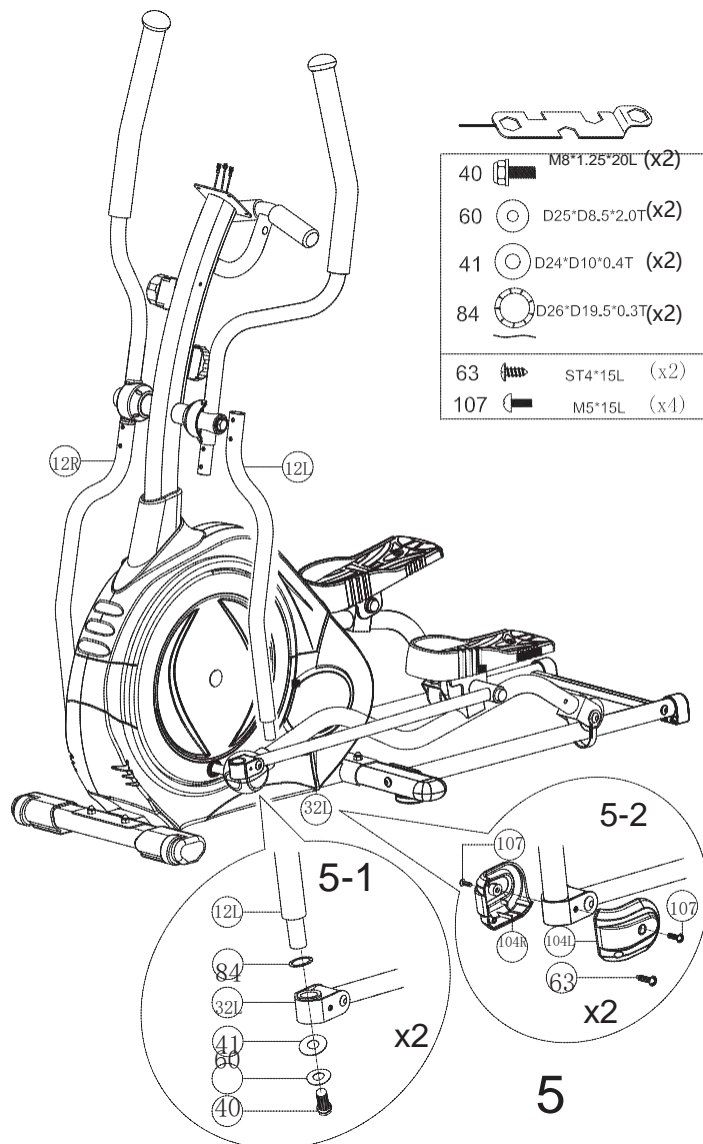


Assemble the left pedal bottom tube welding set (11L) to the main frame

(1) using the anti-loosen nut (17), flat washer (14), plastic flat washer (41), circumvolve axle welding set (31), front pedal axle cover(74A), front pedal axle cover(74B), screw (63).

Assemble the roll wheel (38) to the main frame (1) using the inner six angle bolt (110), flat washer (60), spacer (108), roll wheel stop piece (109).

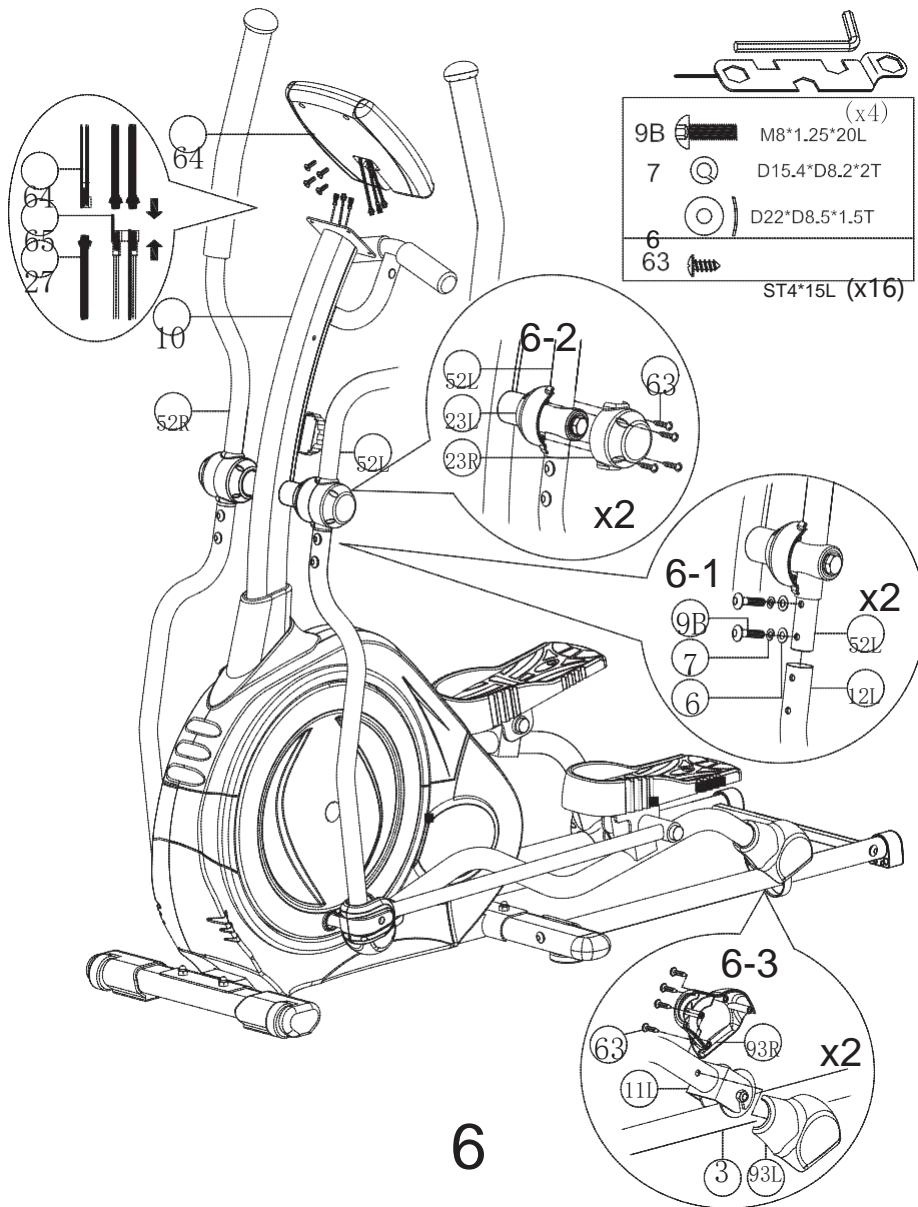
## Assembly step 5



Assemble the right pedal frame welding set (32R) to the main frame (1) using the left sway support tube welding set (12L), curved washer (84), plastic flat washer (41), flat washer (60), six angle bolt (40).

Assemble the axle cover (104L) & axle cover (104R) to the right pedal frame welding set (32R) using the bolt (107), screw (63).

# Assembly step 6



6

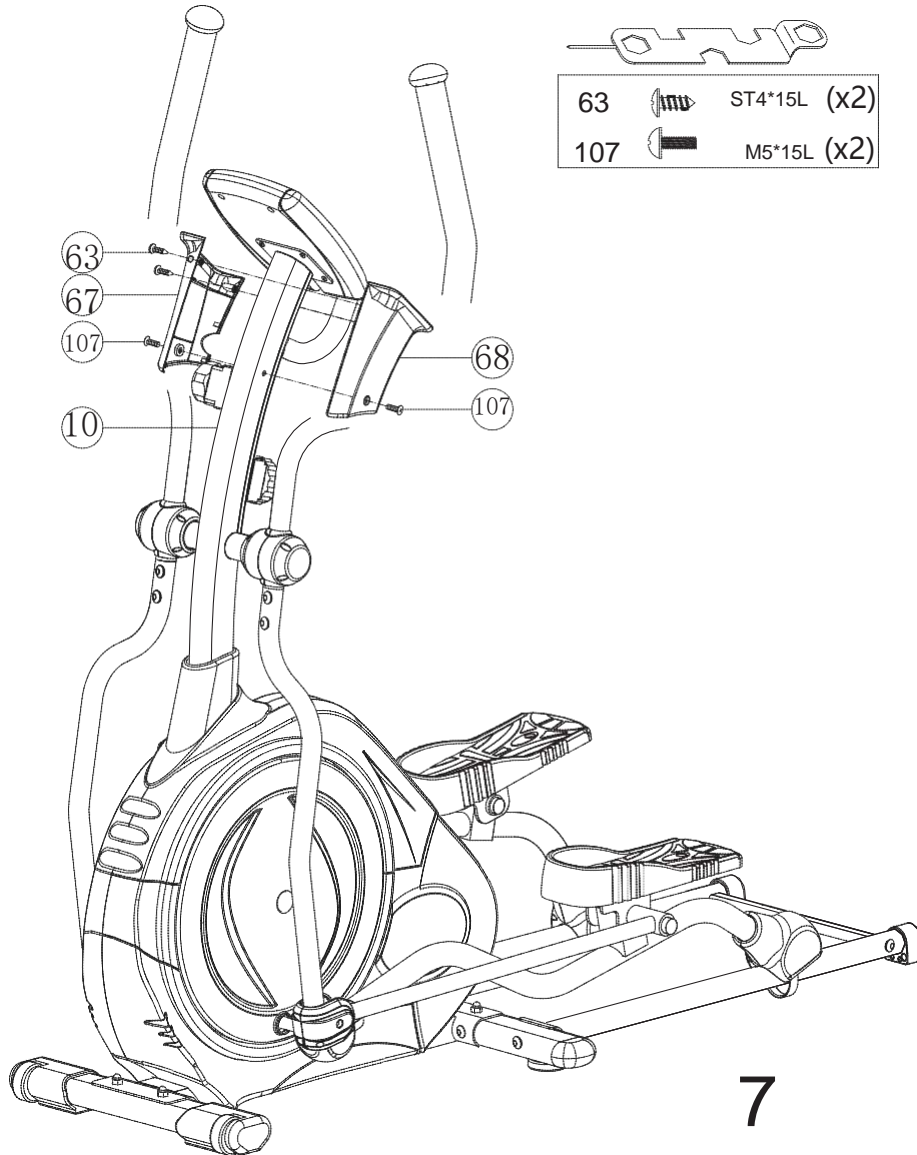
Assemble the left handlebar welding set(52L) to the left sway support tube welding set (12L), inner six angle bolt(9B), spring washer (7), curved washer (6).

Assemble the left handlebar welding set (52L) to the up-foot lid (23R) using the screw (63).

Assemble the rear axle cover (93L) & rear axle cover (93R) to the slide rail welding set (3) using the screw (63), left pedal bottom tube welding set (11L)

Assemble the computer (64) to the handlebar post welding set (10) using the hand pulse and hand pulse cable (65), upper computer cable (30).

## Assembly step 7



Assemble the computer bracket (67) & computer bracket (68) to the handlebar post welding set (10) using the bolt (107), screw (63).

## CONSOLE FUNCTION TZ-2186



### FUNCTION BUTTONS

#### **MODE**

1. Press the button to select hour, minute, year, month and date for setting.
2. Press the button to select TIME, DISTANCE, CALORIES and PULSE to preset.
3. Press the button for selection function display on main LCD, or enter after setting.
4. Press the button to confirm setting value of gender, age, height and weight.
5. Press the button and hold for 2 seconds to reset all value to zero.

(When the user replace batteries, all the values will reset to ZERO automatically.)

#### **SET**

1. To set up the hour, minute, year, month and date.
2. To set up the target value of Time, Distance, Calories and Pulse. You can hold the button to increase the value fast. (The computer has to be in stop condition.)
3. To set up the personal data of gender, age, height and weight for Body fat test.

#### **RESET**

Press the button to reset function value when setting.

(When the user replace batteries, all the values will reset to ZERO automatically.)

#### **BODY FAT**

Press this button to enter Body Fat measure function, then press MODE key to enter the setting mode of your personal data of Gender, Age, Height and Weight. After finished setting, press it again to measure your Body fat ration (FAT%) and BMI.

#### **RECOVERY**

To act the heart rate recovery function after pulse signal in. Press any button to return to the main display.



LCD full display:

## **FUNCTIONS**

- SCAN** Automatically scan through each mode in sequence every 6 seconds. The display loop is RPM - Speed – Time – Distance – Calorie - Pulse on the main screen.
- TIME** Accumulates total time from 00:00 up to 99:59. The user may preset target time by pressing SET & MODE button. Each increase is 1 minute.
- RPM** Displays the Rotation per Minute (RPM). The RPM and SPEED will switch to another display in every 6 seconds after exercise starts.
- SPEED** Displays current training speed. Maximum speed is 99.9 km/h or mile/h.
- DISTANCE** Accumulates total distance from 0.00 up to 99.99 km or mile. The user may preset target distance data by pressing SET & MODE button. Each increase setting is 0.5 km or mile.
- CALORIES** Accumulates calories consumption during training from 0 to max. 999 calories. The user may also preset the target calorie before training by press SET & MODE button. Each setting increase is 10 cal.  
**Note: This data is a rough guide for comparison of different exercise sessions which cannot be used in medical treatment.**
- PULSE** The monitor will display the user's heart rate in beats per minute during training. You may set the target heart rate by press the SET & MODE button.
- CALENDAR** The monitor will display date, month, and year when the monitor is in sleep mode.
- CLOCK** The monitor will display current clock time when the monitor is in sleep mode.
- TEMPERATURE:** Displays current room temperature from 10°C to 60°C when the monitor is in sleep mode.

## **OPERATION ORDER:**

- 1. Power on –**  
Installs 2 pieces of 1.5V UM-3 or AA batteries. The monitor start to segment test with a long beep sound. (Whenever batteries are removed, all the functions values will be reset to zero or default value.)
- 2. Set current data –**  
Press the SET and MODE buttons to set up current clock time, year, month, and date. After the first setting till batteries be replaced next time, those preset data will be updated automatically.
- 3. Select and preset target value –**  
Get access to the setting function of Time, Distance, Calories and Target Pulse. When you are in each setting mode. For instance the Time setting, when the time value is glitter, you can press the SET button to adjust the value. Press the MODE button for confirmation and skip to next setting. The setting of Distance & Calories is the same as Time setting.
4. After entering speed signal, each function of SPEED-RPMTIME-DISTANCE-CALORIES- PULSE will skip to display in every 6 seconds.
5. You can also press the MODE button to select single function display on the main screen except RPM & SPEED. The RPM & SPEED function will switch display in 6 seconds.



6. If you have preset any function target before, the function starts to count down from the target when the training starts. Once the target is achieved, the monitor will beep and the function will count up from zero automatically if the training is still going.

**7. Pulse measurement –**

After you hold on two handgrip sensors in a few seconds, the monitor will show up your current heart rate in beats per minute. To ensure the heart rate readout precisely, please do not hold one hand only. You may preset target pulse before training starts. Once your current heart rate is achieved to the target, the value of pulse will beep to remind you.

**8. Recovery –**

When the PULSE is working, you can press “RECOVERY” button to start the recovery test function. The monitor will count down from 0:60 second to 0:00 and the heart beat symbol will be glitter till counting down to “0:00”. During 60 seconds counting period, please keep heart rate sensor is attached. Then the screen will display “F1 to F6” to show your recovery status. F1 is the best, and the F6 is the worst. You may keep exercising to improve your heart rate recovery status, and check it by using Recovery function.

**9. Body Fat -**

9-1 Press BODY FAT key to enter body fat measurement.

9-2 Press MODE and SET buttons to input your personal data. Each personal data available setting area is described as the following:

AGE:	10 ~ 99 years
HEIGHT:	100 ~ 250 cm (or 3'03" ~ 8'02")
WEIGHT:	10 ~ 200 kg (or 22 ~ 440 lb)

9-3 After all personal data have been input, you can press BODY FAT button and hold on grip conductors to start the body fat testing.

9-4 It takes few seconds to test the body fat. If you did not hold on the conductor during the testing procedure, the LCD will show the error sign Err after 10 seconds period.

9-5 After the testing is finished, you will see fat advice in percentage and BMI figure (body mass Index) display on the main LCD in sequence by scan mode.

BODY FAT %: Calculate from your personal data to show the value from 5%~50%.

BMI: Calculate from your personal data to show the value from 1.0~99.99.

9-6 Press any key to return to the main display.

**Note**

1. Stop training for 4 minutes, the screen will show up room temperature, clock, and calendar display automatically.
2. Once the computer did not receive any speed signal or any key input for one minute, the LED backlight will turn off automatically. Any speed signal input or key input can turn on the led backlight automatically.
3. If the computer displays abnormally, please re-install the battery and try again.
4. Battery Spec: 1.5V UM-3 or AA (2PCS).



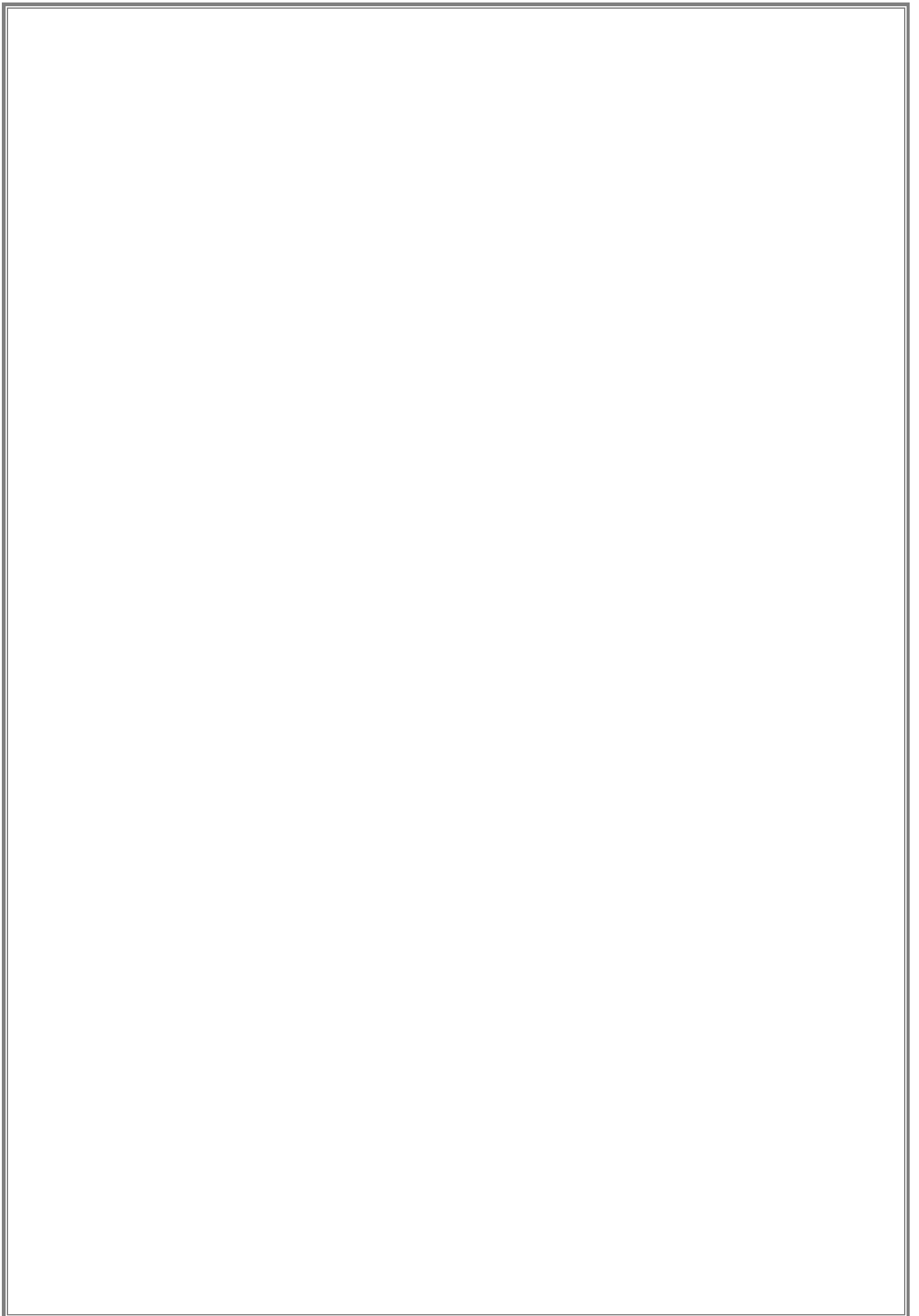
## TERMS OF WARRANTY

- Warranty period is 2 years for mechanical, electrical / electronic parts and 5 years for the metal frame.
- X-TREME STORES S.A. undertakes to repair the machine free of charge in the event of damage due solely to a manufacturing fault. The warranty covers the cost of the spare parts. Replacement of spare parts or not is up to the company technicians. The customer is responsible for the control and adjustment of the machine.
- This warranty note is only valid if it is accompanied by legal proof of purchase (invoice or retail receipt). The warranty period is not extended for any reason and the transfer of it to a third party is excluded.
- Any damage is repaired as soon as possible and any claim for damages due to lack of spare parts and delay in repairing the damage is excluded. The costs of transporting the machine to or from the dealership will be borne by the customer after 6 months of purchase.
- The warranty conditions are set by the manufacturers of machinery and are governed by European regulations.
- Upon expiry of the warranty, any replacement part is covered by a 6-month warranty.

## THE WARRANTY SHALL NOT APPLY:

- When the machine is used for any purpose other than home use (gyms, clubs, institutes, hotels, studios, etc.).
- When the fault is the result of misuse, alterations, poor connection, poor maintenance, voltage fluctuations in the PPC network.
- Components damaged by user fault such as broken plastic parts, damaged belt with improper adjustment, incorrect or incomplete lubrication, damage when moving the machine.
- Components such as side pads and cushions are considered consumables and are covered by a 6 month warranty.
- When the machine is opened or repaired by third parties.
- When the damage is caused by the buyer's negligence & the instructions for use have not been followed.
- When the machine is outdoors or exposed to sun or dust.
- When electronic components (console) are damaged by intense sweating or other liquid that has come into contact with or penetrated inside them.

**Tel.:** 210 66 20 921 -2 – **Fax:** 210 66 20 923 – **e-mail:** [service@xtr.gr](mailto:service@xtr.gr)





Koupi Avenue 34, Koropi P.C. 19441 P.O.Box 6201

**Tel.:** 210 66 20 921 -2 - **FAX:** 210 66 20 923

**E-mail:** [info@xtr.gr](mailto:info@xtr.gr) • [f/xtrstores](https://www.facebook.com/xtrstores) • [/xtr.gr](https://www.instagram.com/xtr.gr)

**Tel for all Greece:**  
**801.11.15.100**

**[www.xtr.gr](http://www.xtr.gr)**